

DECLARATION OF PERFORMANCE NR 002-05-CPR-2021

1. Unique identification code of the product type:

Fire dampers type mcr FID WING with a fire resistance classification according EN 13501-3:2005
EI 120 ($v_e h_o i \leftrightarrow o$) S
EI 60 ($v_e h_o i \leftrightarrow o$) S

2. Intended use and scope of application of the product:

Fire dampers type mcr FID WING are designed to be used in comfort (general) ventilation systems at places where these systems pass through space dividing elements of certain fire resistance class. The dampers are to prevent the spread of fire and smoke via ventilation systems.

3. Manufacturer:

„MERCOR” S.A., ul. Grzegorza z Sanoka 2, 80-408 Gdańsk, Production Site 48-593.

4. System of assessment and verification of constancy of performance of the product:

System 1.

5. Construction product covered by the harmonised standard:

PN-EN 15650:2010 (EN 15650:2010).

6. Notified body name and No., certificate of conformity No.:

Notified Body No. 1812, Efectis France, Espace Technologique, Bâtiment Apollo, Route de l'Orme des Merisiers F-91193 Saint-Aubin.

Certificate of Constancy of Performance: 1812-CPR-1916, 1812-CPR-1917, 1812-CPR-1918, 1812-CPR-1919.

7. Declared performance:

Essential characteristics	EN 15650	Performance		Result
Nominal activation conditions/sensitivity	4.2.1.2			Pass
Sensing element response temperature	4.2.1.2.2.	ISO 10294-4: 2001, pkt 4.2		
Sensing element load bearing capacity	4.2.1.2.3	ISO 10294-4: 2001, pkt 4.2		
Response time/ Closure time	4.2.2.2	<2 minutes		Pass
Operational reliability / Cycling	4.3.1. a)	C50		Pass
Fire resistance – integrity	4.1.1 a)	E120	E60	Pass
Fire resistance – insulation	4.1.1 b)	I120	I60	Pass
Fire resistance – smoke leakage	4.1.1 c)	S120	S60	Pass
Mechanical stability (E class)	4.1.1 a)	-	-	Pass
Maintenance of the cross section (E class)	4.1.1 a)	-	-	Pass
Operation time durability:	4.2.1.2.2	-	-	Pass
	4.2.1.2.3	-	-	
Reliability:	4.3.3.2	-		-

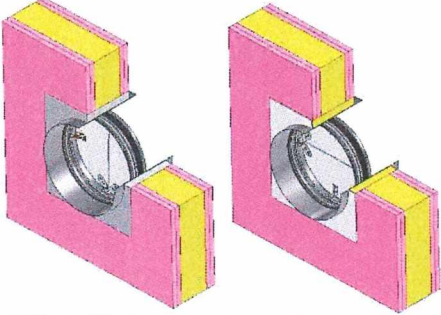
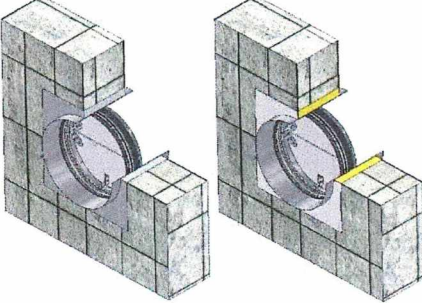
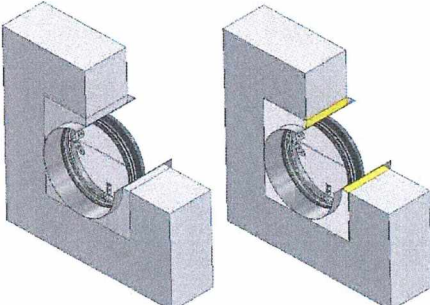
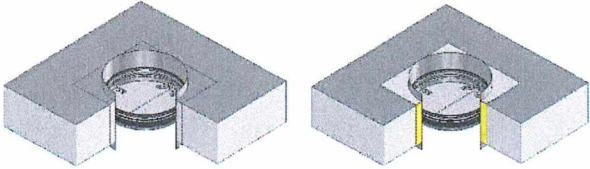
8. Additional properties:

Additional characteristics	EN 15650	Performance		Result
Horizontal / vertical axis of rotation	-	Yes	Yes	Pass
Fire resistance classification	4.3.2	EI 120 ($v_e h_o i \leftrightarrow o$) S	EI 60 ($v_e h_o i \leftrightarrow o$) S	Pass
Size range		round damper, dimensions: from DIA100 to DIA200 [mm]		

DWU_002-05-CPR-2021_FIDWING_EN_20221129 1/3

Systemy zabezpieczeń przeciwpożarowych
Fire protection systems

„MERCOR” S.A.
ul. Grzegorza z Sanoka 2, 80-408 GDAŃSK, Polska
tel. (+48 58) 341 42 45, fax (+48 58) 341 39 85
e-mail: mercor@mercor.com.pl
www.mercor.com.pl

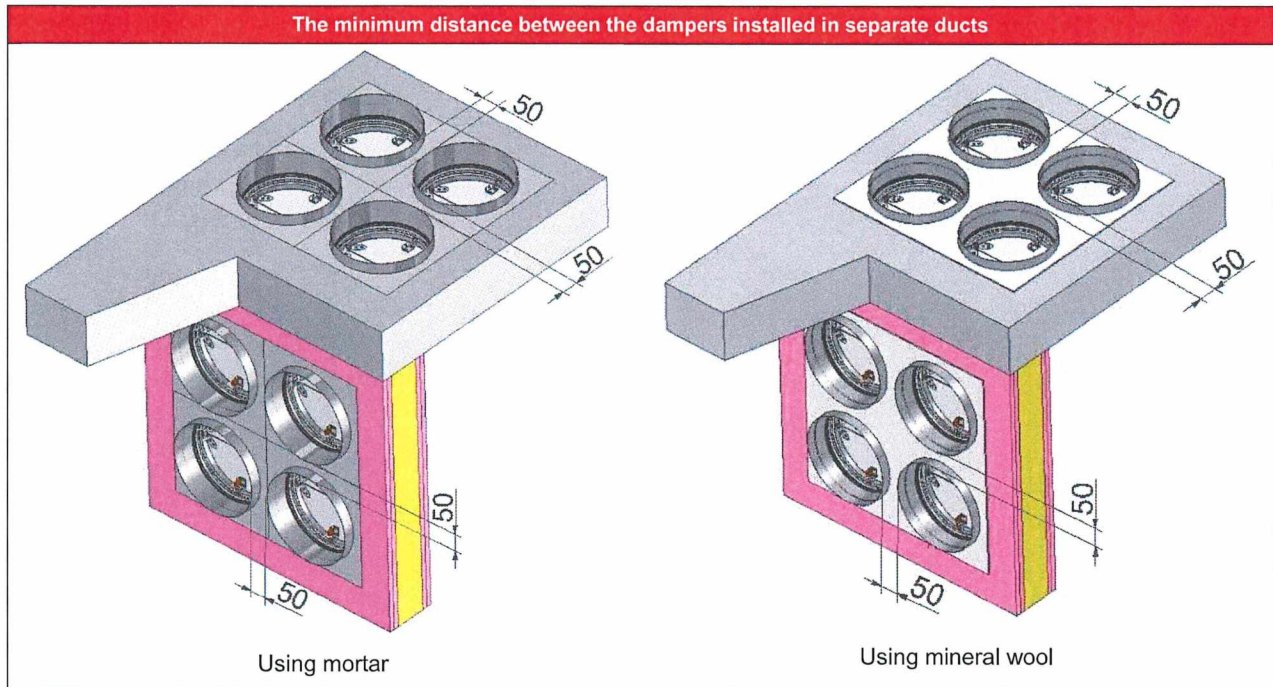
Installation	Type of partition	Installation type	Partition thickness
	lightweight walls/shafts made of boards	Using mortar or mineral wool	min. 100mm
	Solid walls/shafts made of concrete blocks, hollow masonry units	Using mortar or mineral wool	min. 100mm
	Solid walls/shafts	Using mortar or mineral wool	min. 100mm
	Solid ceiling	Using mortar	min. 100 for EIS60 min. 150mm for EIS 120

Installation of the damper is also possible with the use of the supply-exhaust air diffuser. Mounting details included in the device's OMM.

DWU_002-05-CPR-2021_FIDWING_EN_20221129 2/3

Systemy zabezpieczeń przeciwpożarowych
Fire protection systems

„MERCOR” S.A.
ul. Grzegorza z Sanoka 2, 80-408 GDAŃSK, Polska
tel. (+48 58) 341 42 45, fax (+48 58) 341 39 85
e-mail: mercor@mercors.com.pl
www.mercors.com.pl



The performance of the product identified above is in conformity with the set of declared performance/s (point 7). This declaration of performance is issued, in accordance with Regulation (EU) No 305/2011, under the sole responsibility of the manufacturer identified above.



Tomasz Kobyliński
KIEROWNIK ZAKŁADU PRODUKCJI
SYSTEMÓW WENTYLACJI POŻAROWEJ

Gdańsk, 29.11.2022

Tomasz Kobyliński

Rev. 2

DWU_002-05-CPR-2021_FIDWING_EN_20221129 3/3