

DECLARATION OF PERFORMANCE NO. 001-05-CPR-2021

1. Unique identification code of the product type:

Smoke control dampers type mcr FID B used in single and multi compartment smoke and heat control systems, with a fire resistance classification according EN 13501-4:2016
EI 120 (V_{ed} h_{od} i↔o) S1500C_{10 000} MAMulti

2. Intended use and scope of application of the product:

Smoke control dampers type mcr FID B are intended for use in the following types of systems: exhaust systems, aeration systems, relief systems, duct systems and inert gas extinguishing systems. The dampers are designed to control single and multiple fire zones.

3. Manufacturer:

MERCOR SA, ul. Grzegorza z Sanoka 2, 80-408 Gdańsk, Production Site Ul. Kwarцова 3a, 83-031 Cieplewo, Poland and 380-470.

4. System of assessment and verification of constancy of performance of the product:

System 1.

5. Construction product covered by the harmonized standard:

PN-EN 12101-8:2012 (EN 12101-8:2011).

6. Notified body name and No., certificate of conformity No.:

Notified body No.2434, Centrum Techniki Okrętowej S.A, ul. Szczecińska 65, 80-392 Gdańsk.
Certificate of Constancy of Performance: 2434-CPR-0031.

7. Declared performance:

Essential characteristics	EN 12101-8:2011	Performance	Result
Nominal activation conditions/sensitivity	4.2.1.3	-	Pass
Response time/ Closure time	4.2.1.4	-	Pass
Operational reliability - cycling	4.3.2.2	C 10.000	Pass
Fire resistance – integrity	4.1.1 a)	E120	Pass
Fire resistance – insulation	4.1.1 b)	EI120	Pass
Fire resistance – smoke leakage	4.1.1 c)	EIS120	Pass
Mechanical stability (E class)	4.1.1 d)	-	Pass
Maintenance of the cross section (E class)	4.1.1 e)	-	Pass
High working temperature	4.1.1 f)	-	NPD
Durability of response delay	4.4.2.1	-	Pass
Durability of operational	4.4.2.2	10 000	Pass

8. Additional properties:

Additional characteristics	EN 12101-8:2011	Performance	Result
Fire resistance classification	4.4.3	EI 120 (V _{ed} h _{od} i↔o) S1500C _{10 000} MAMulti	Pass
Size range	Rectangular damper: 200x200 to 1200x800 [mm]		
Installation	Out of flexible walls / shafts made of boards, rigid walls / shafts made of blocks, bricks, hollow bricks, masonry, prefabricated panels		
	Fire protection ducts according to EN 1366-8 or EN 1366-9 with equal or less fire resistance**		
Release and control mechanisms	Electric actuators voltage: 24V and 230V		

DWU_001-05-CPR-2021_FIDB_EN_20221129 1/4

Systemy zabezpieczeń przeciwpożarowych
Fire protection systems

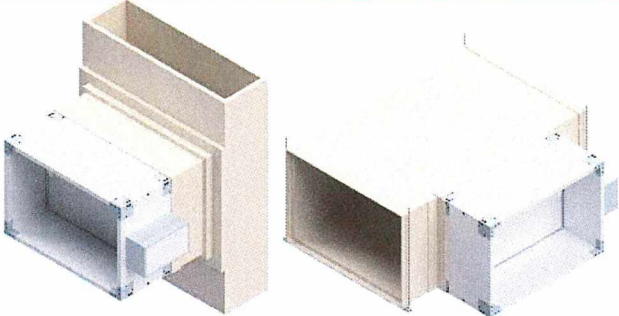
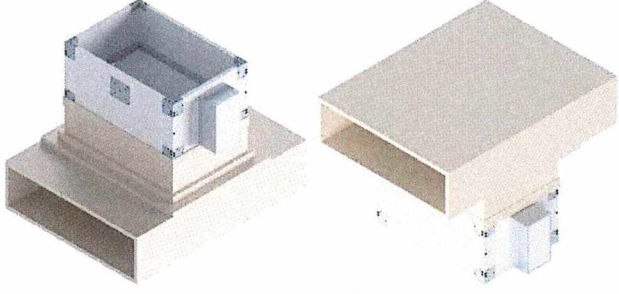
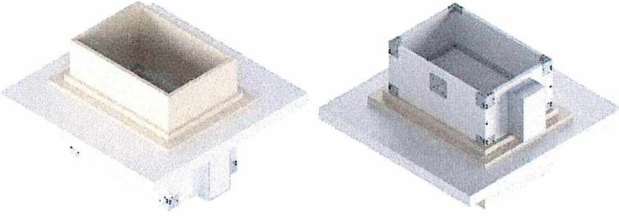
„MERCOR” S.A.
ul. Grzegorza z Sanoka 2, 80-408 GDAŃSK, Polska
tel. (+48 58) 341 42 45, fax (+48 58) 341 39 85
e-mail: mercor@mercor.com.pl
www.mercor.com.pl

Installation	Type of assembly	Classification	Partition thickness
	Out of flexible walls / shafts of drywall	EI 120 (v _{ed} i↔o) S1500 C _{10,000} MA multi	NA
	Out of rigid walls / shafts of blocks	EI 120 (v _{ed} i↔o) S1500 C _{10,000} MA multi	NA
	Out of solid walls / shafts	EI 120 (v _{ed} i↔o) S1500 C _{10,000} MA multi	NA
	Smoke extraction ducts according to EN 1366-8 or EN 1366-9	EI 120 (v _{ed} i↔o) S1500 C _{10,000} MA multi	-

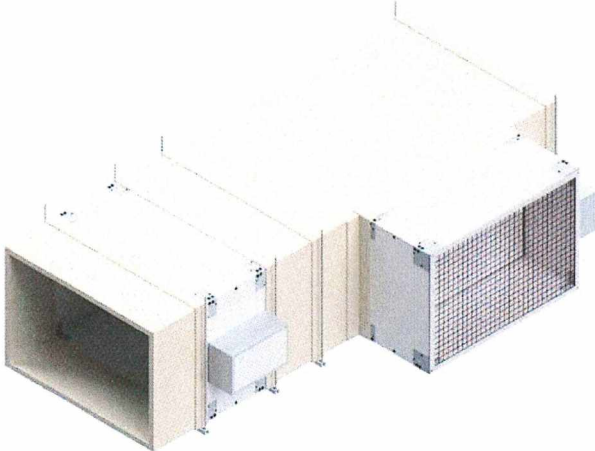
DWU_001-05-CPR-2021_FIDB_EN_20221129 2/4

Systemy zabezpieczeń przeciwpożarowych
Fire protection systems

„MERCOR” S.A.
ul. Grzegorza z Sanoka 2, 80-408 GDAŃSK, Polska
tel. (+48 58) 341 42 45, fax (+48 58) 341 39 85
e-mail: mercor@mercor.com.pl
www.mercor.com.pl

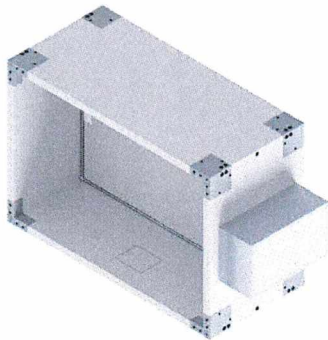
Installation	Type of assembly	Classification	Partition thickness
	Smoke extraction ducts according to EN 1366-8 or EN 1366-9	EI 120 (v _{ed} i↔o) S1500 C _{10,000} MA multi	-
	Smoke extraction ducts according to EN 1366-8 or EN 1366-9	EI 120 (h _{od} i↔o) S1500 C _{10,000} MA multi	-
	Out of rigid floor	EI 120 (h _{od} i↔o) S1500 C _{10,000} MA multi	NA

NA – not applicable

Possibility of connecting devices	
	Certified installation with attached cover grilles, at the end of the installation or smoke extraction ducts.

DWU_001-05-CPR-2021_FIDB_EN_20221129 3/4

Release and control mechanisms



Actuators for smoke control dampers powered by 24V and 230V

The performance of the product identified above is in conformity with the set of declared performance/s (point 7). This declaration of performance is issued, in accordance with Regulation (EU) No 305/2011, under the sole responsibility of the manufacturer identified above.



Tomasz Kobyliński
KIEROWNIK ZAKŁADU PRODUKCJI
SYSTEMÓW WENTYLACJI POŻAROWEJ

Gdańsk, 29.11.2022

Tomasz Kobyliński

Rev. 3